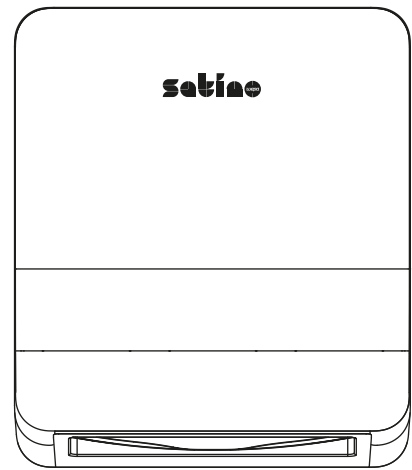


Assembly Instructions

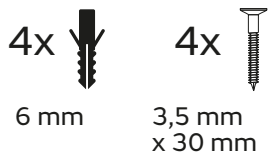
HYGINITY Folded Towel Dispenser S

Item No.: 333402 / 333403

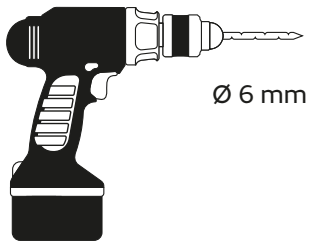
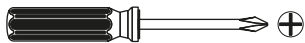
HYGINITY Falthandtuchspender S
HYGINITY Handdoekdispenser S
HYGINITY Distributeur pour essuie-mains pliés S
HYGINITY Dozownik do ręczników składanych S



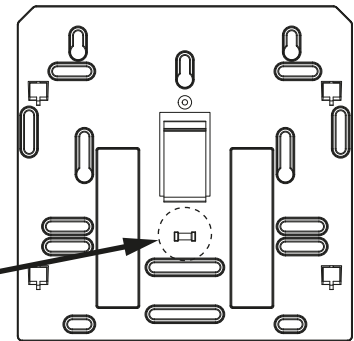
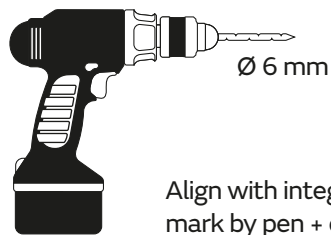
Supplied



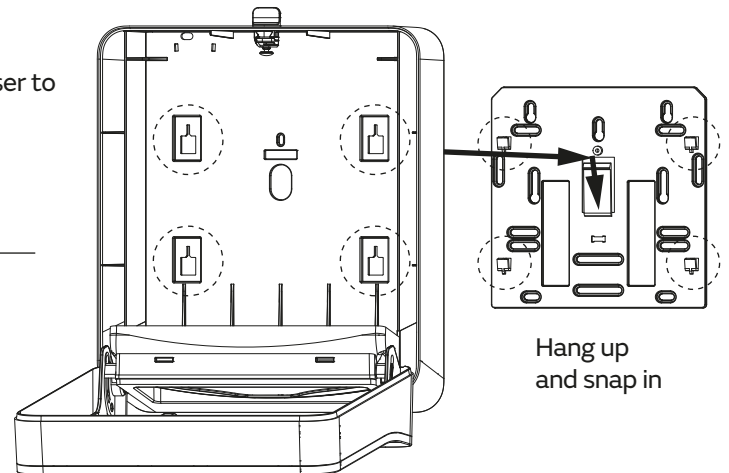
Needed tools



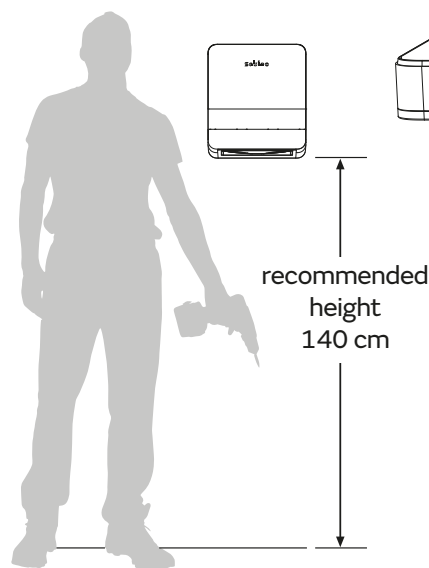
Mounting Plate



Attaching Dispenser to Mounting Plate

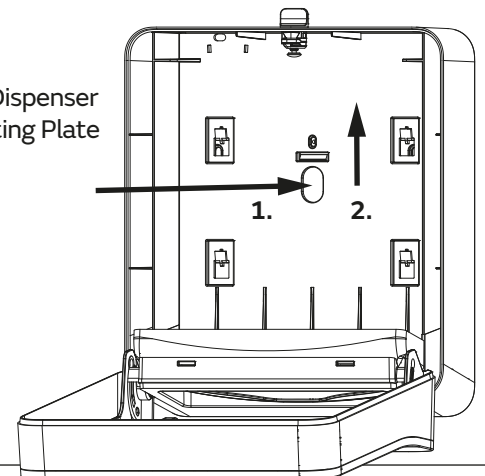


Preferred distance



Removing Dispenser from Mounting Plate

1. Push
2. Lift

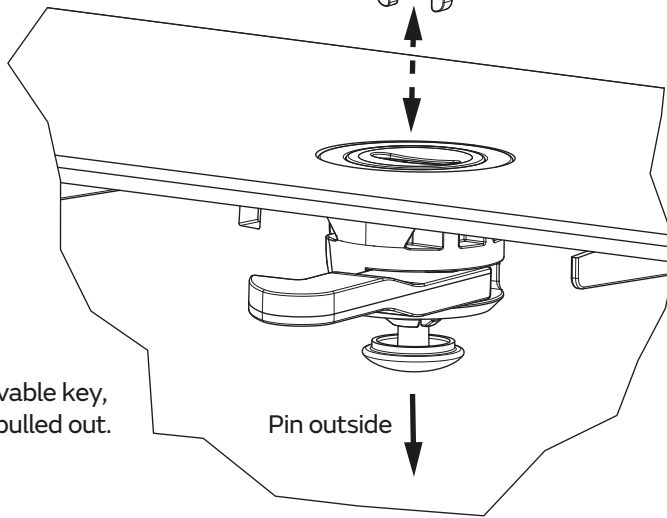


HYGINITY
Folded Towel Dispenser S
Item No.: **333402 / 333403**

If you want to use the permanent key, press the pin in after you have inserted the key.

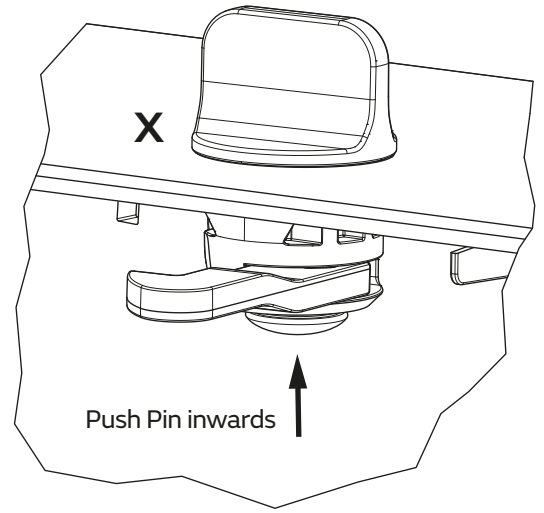
Key options

Removable key



To use the removable key, the pin must be pulled out.

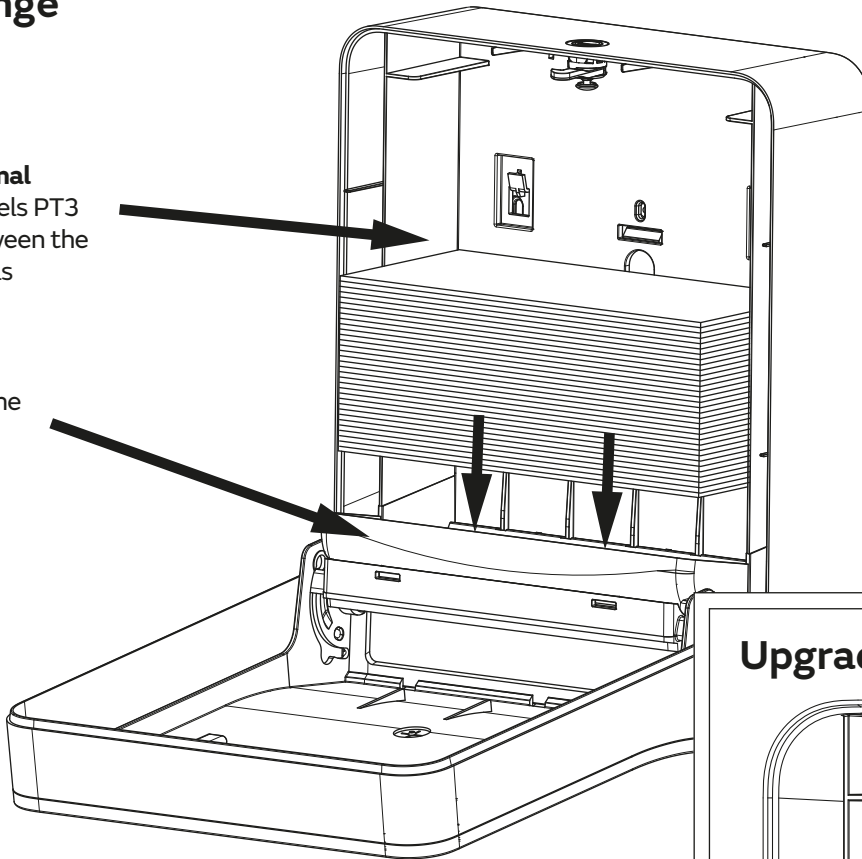
Permanent Key



Paper change

Please place **original** Satino Paper Towels PT3 in the center between the paper guiding walls

and stack it into the paper outlet bowl



Upgrade

Mounting hole group for optional sensor unit

